

SET-UP SHEET

XRAY T4/T4

RACE			
TRACK			
NAME			
CITY / COUNTRY			
CONTACT			

DATE	TEMPERATURE / °F or °C	AIR	TRACK
-------------	-------------------------------	------------	--------------

QUALIFYING POSITION	BEST LAP TIME /sec	FINAL POSITION	RACE LENGTH /minutes
----------------------------	---------------------------	-----------------------	-----------------------------

TRACK CONDITION	<input type="checkbox"/> CARPET	<input type="checkbox"/> ASPHALT
<input type="checkbox"/> TECHNICAL	<input type="checkbox"/> MIXED	<input type="checkbox"/> FAST

TRACTION	<input type="checkbox"/> LOW	<input type="checkbox"/> MEDIUM	<input type="checkbox"/> HIGH
-----------------	------------------------------	---------------------------------	-------------------------------

FRONT	REAR
TRANSMISSION	

SOLID AXLE <input type="checkbox"/> YES	BALL DIFFERENTIAL <input type="checkbox"/> YES
---	--

SOLID ONE WAY DIFF. <input type="checkbox"/> YES	
--	--

ONE WAY DIFFERENTIAL <input type="checkbox"/> YES	
---	--

GEAR DIFFERENTIAL <input type="checkbox"/> YES	GEAR DIFFERENTIAL <input type="checkbox"/> YES
--	--

OIL	OIL /Cst
-----	----------

PINION / T	SPUR GEAR / T
------------	---------------

FINAL DRIVE RATIO	ROLLOUT
-------------------	---------

FRONT	REAR
-------	------

	XRAY SPRINGS	
--	---------------------	--

	OIL / CST	
--	-----------	--

	LENGTH /mm	
--	------------	--

	PRELOAD /mm	
--	-------------	--

	REBOUND %	
--	-----------	--

<input type="checkbox"/> YES <input type="checkbox"/> NO	FOAM INSERTS	<input type="checkbox"/> YES <input type="checkbox"/> NO
--	--------------	--

<input type="checkbox"/> YES <input type="checkbox"/> NO	O-RING ON SHAFT	<input type="checkbox"/> YES <input type="checkbox"/> NO
--	-----------------	--

<input type="checkbox"/> 3 HOLES	PISTONS	<input type="checkbox"/> 3 HOLES
<input type="checkbox"/> 4 HOLES	1.0mm	<input type="checkbox"/> 4 HOLES
	1.1mm	
	1.2mm	
	OTHERS	

THICKNESS/mm	ANTI-ROLL BAR	THICKNESS/mm
--------------	----------------------	--------------

	TIRES	
	INSERTS	
	ADDITIVE	
	ADDITIVE TIMING	

FRONT LEFT	FRONT RIGHT	REAR LEFT	REAR RIGHT
TREATED AREA			

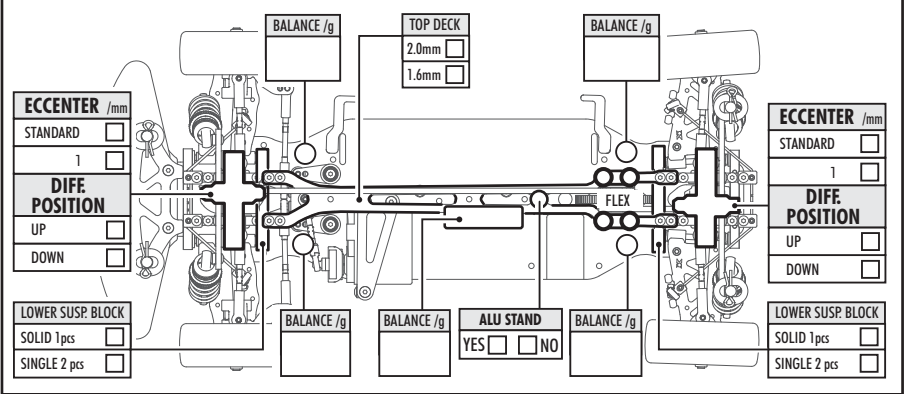
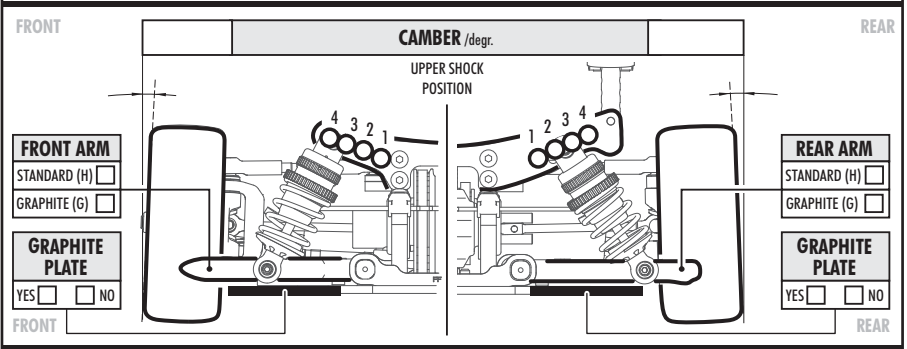
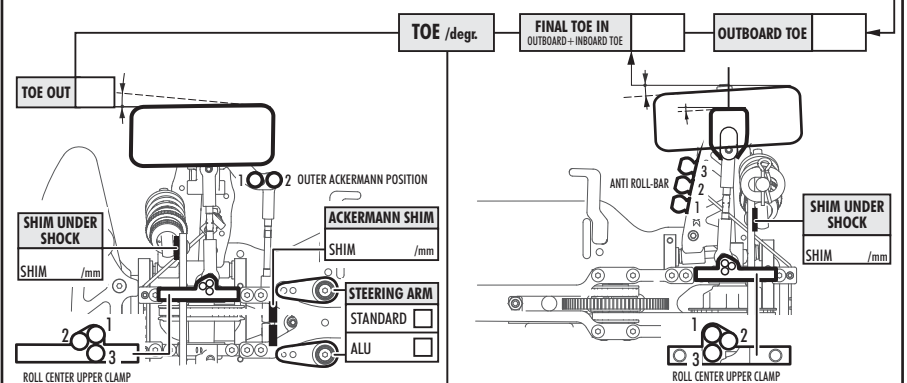
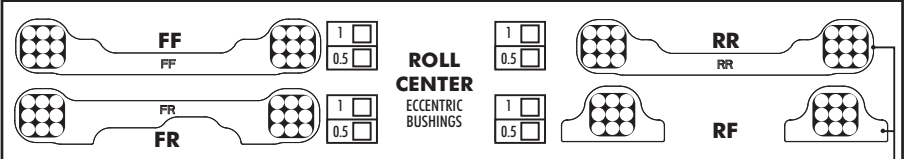
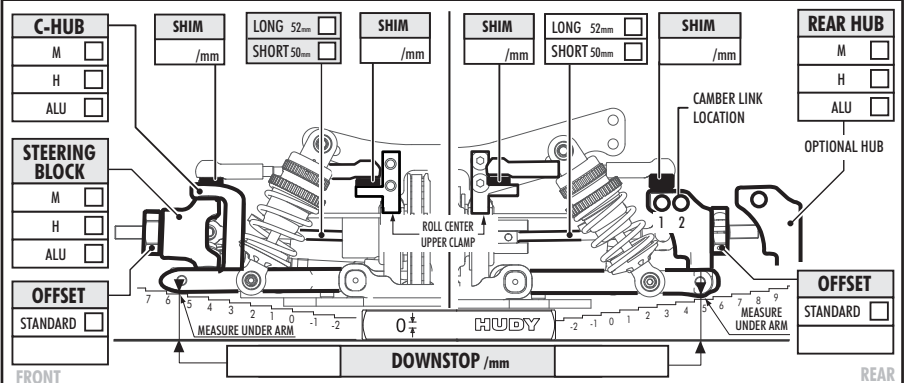
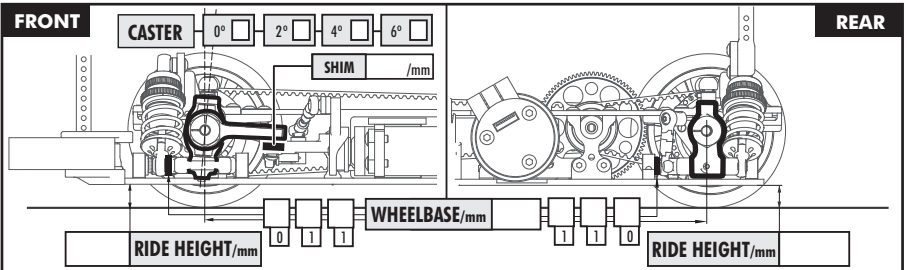
	WHEELS	
<input type="checkbox"/> S <input type="checkbox"/> M <input type="checkbox"/> H	HARDNESS	<input type="checkbox"/> S <input type="checkbox"/> M <input type="checkbox"/> H

MOTOR	TIMING
ROTOR	ARMATURE

ESC	BATTERIES
------------	------------------

BODY	WING
-------------	-------------

- APPLIED S-SOFT M-MEDIUM H-HARD



COMMENTS